

# KR-3400

## MAIN AMP UNIT (X07-1330-10)

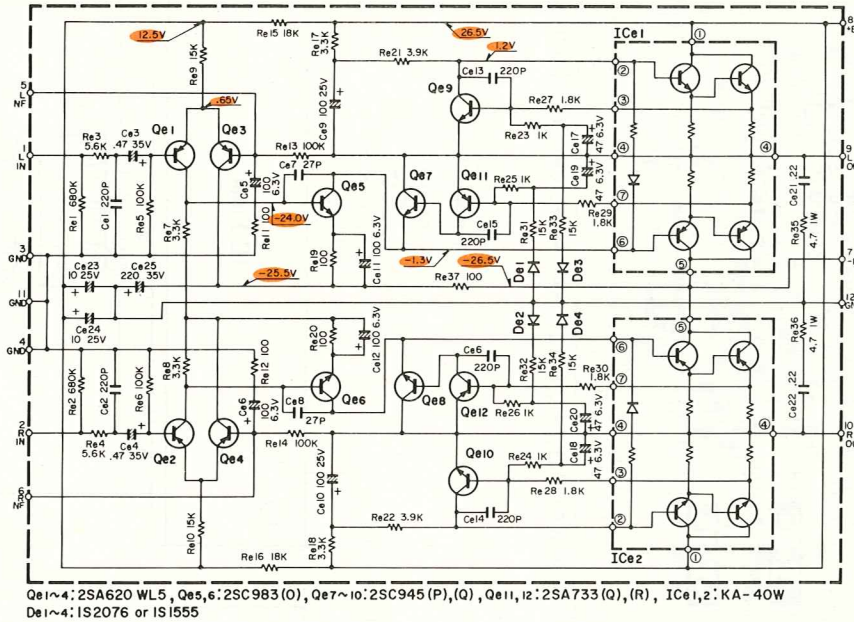
© 4409 PRINTED IN JAPAN B51-0312-00 (G) 3300

- Main amplifier unit is revised from (X07-1290-11) to (X07-1330-10), incorporating two Power ICs in the final stage.

It should be noted that the output and the power supply connector positions are changed.

The circuit structure is, however, scarcely changed with the exception of the final stage and the load for the constant current class A driver. As to specifications, no amendment is need.

Application: From Serial No. 050xxx



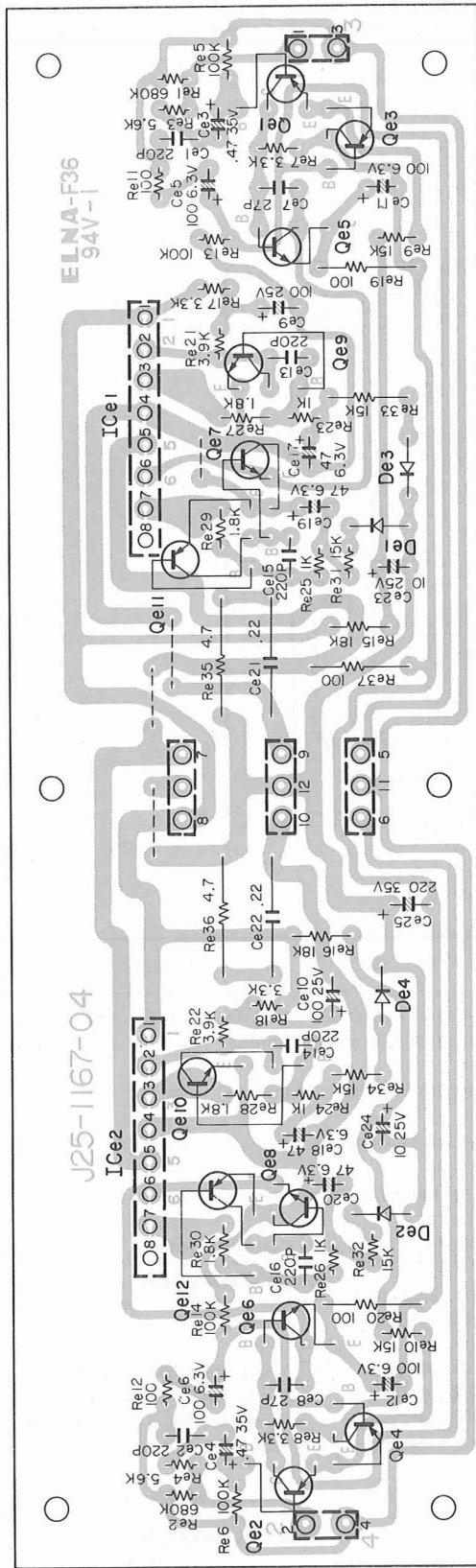
### ■ PARTS LIST

Ref. No.	Parts No.	Description	Re- marks
<b>CAPACITOR</b>			
Ce1, 2	CC45SL1H221K	Ceramic 220pF ±10%	
Ce3, 4	CS15E1VR47M	Tantalum 0.47μF ±20%	
Ce5, 6	CE04W0J101	Electrolytic 100μF 6.3WV	
Ce7, 8	CC45SL1H270K	Ceramic 27pF ±10%	
Ce9, 10	CE04W1E101	Electrolytic 100μF 25WV	
Ce11,12	CE04W0J101	Electrolytic 100μF 6.3WV	
Ce13~16	CC45SL1H221K	Ceramic 220pF ±10%	
Ce17~20	CE04W0J470	Electrolytic 47μF 6.3WV	
Ce21,22	CQ93M1H224M	Mylar 0.22μF ±20%	
Ce23,24	CE04W1E100	Electrolytic 10μF 25WV	
Ce25	CE04W1V221	Electrolytic 220μF 35WV	
<b>RESISTOR</b>			
Re1, 2	PD14CY2E684J	Carbon 680kΩ ±5% 1/4W	
Re3, 4	PD14CY2E562J	Carbon 5.6kΩ ±5% 1/4W	
Re5, 6	PD14CY2E104J	Carbon 100kΩ ±5% 1/4W	
Re7, 8	PD14CY2E332J	Carbon 3.3kΩ ±5% 1/4W	
Re9,10	PD14CY2E153J	Carbon 15kΩ ±5% 1/4W	
Re11,12	PD14CY2E101J	Carbon 100Ω ±5% 1/4W	
Re13,14	PD14CY2E104J	Carbon 100kΩ ±5% 1/4W	
Re15,16	PD14CY2E183J	Carbon 18kΩ ±5% 1/4W	
Re17,18	PD14CY2E332J	Carbon 3.3kΩ ±5% 1/4W	
Re19,20	PD14BY2E101J-B	Carbon 100Ω ±5% 1/4W	

Ref. No.	Parts No.	Description	Re- marks
Re21,22	PD14CY2E392J	Carbon 3.9kΩ ±5% 1/4W	
Re23~26	PD14CY2E102J	Carbon 1kΩ ±5% 1/4W	
Re27~30	PD14CY2E182J	Carbon 1.8kΩ ±5% 1/4W	
Re31~34	PD14CY2E153J	Carbon 15kΩ ±5% 1/4W	
Re35,36	RN14AB3A4R7J-B	Metal film 4.7Ω ±5% 2W	
Re37	PD14BY2E101J-B	Carbon 100Ω ±5% 1/4W	
<b>SEMICONDUCTOR</b>			
ICe1,2	V30-0113-05	IC KA-40W	
Qe1~4	V01-0087-05	Transistor 2SA620 WL5	
Qe5, 6	V03-0296-05	Transistor 2SC983 (O)	
Qe7~10	V03-0270-05	Transistor 2SC945 (P), (Q)	
Qe11,12	V01-0084-05	Transistor 2SA733 (O), (R)	
De1~4	V11-0273-05	Diode 1S2076 or 1S1555	
<b>MISCELLANEOUS</b>			
-	E19-0206-05	Pin assembly	
-	E19-0304-05	Pin assembly	
-	F01-0200-03	Heat sink	

# KR-3400 MAIN AMP (X07-1330-10)

## ▼ PC board (X07-1330-10)



Qe1~4:2SA620 WL5, Qes,6:2SC983(O), Qe7~10:2SC945(P),(Q), Qe11,12:2SA733(Q),(R), ICe1,2:KA-40W, De1~4:IS2076 or IS1555

## ▼ CONNECTOR POSITION

With replacement of the unit, connector positions of the output and the power supply interchange each other. Please be great cautious, not to destroy the power IC.

